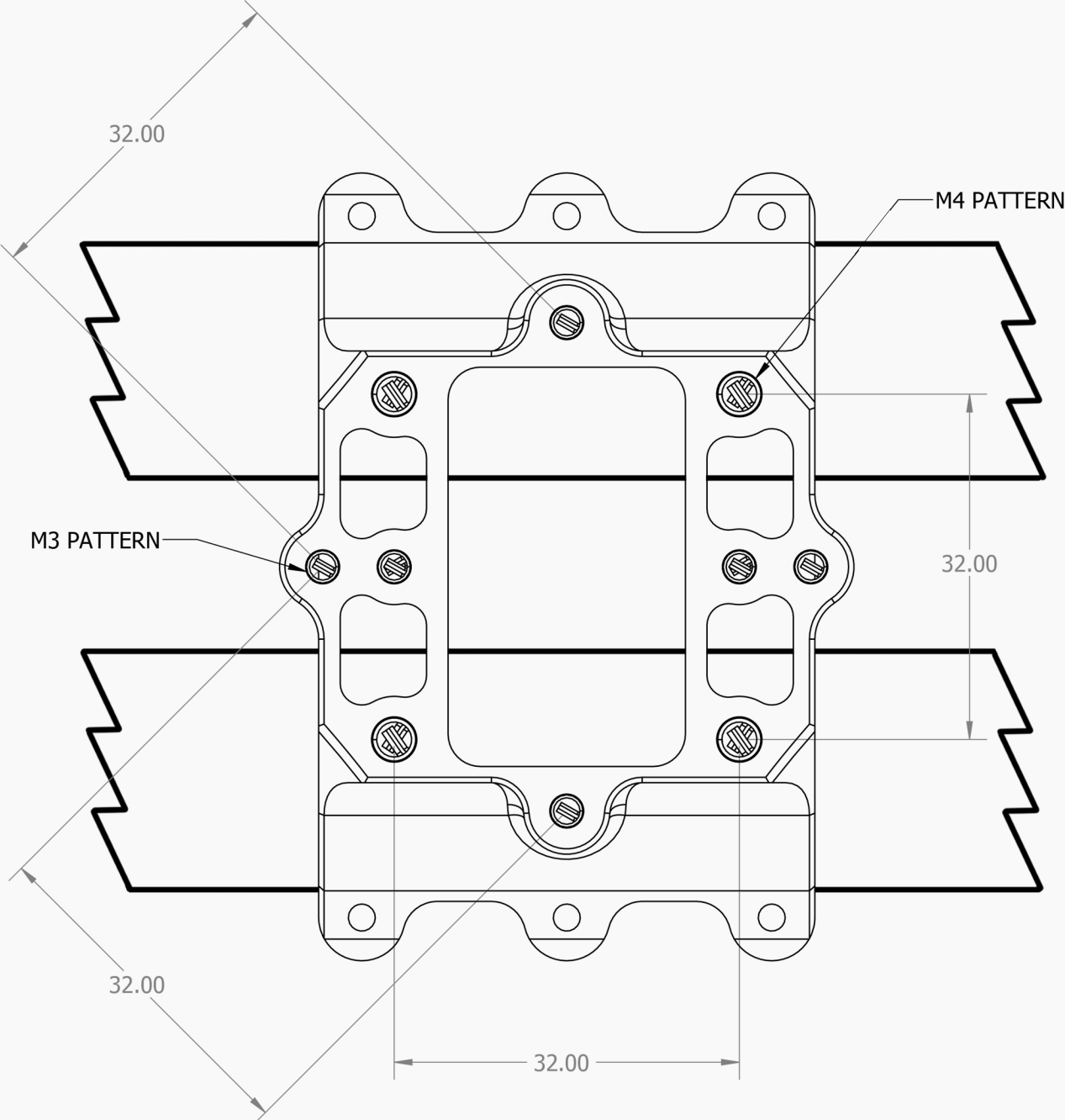


Cargo Landing Gear (910-00620)

Underside mounting pattern



M3 and M4 holes are threaded

Not to scale